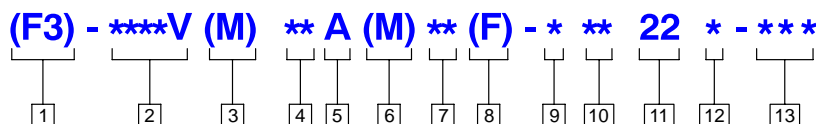


Double Pump Model Code

Model Code



1 F3 - Viton Seals

Omit if not required

2 Series Designation

Displacements cm³/r (in³/r)

Model	Shaft End	Cover End
2520V -	33 - 67 (2.0 - 4.1)	7 - 45 (0.45 - 2.8)
2525V -	33 - 67 (2.0 - 4.1)	33 - 67 (2.0 - 4.1)
3520V -	81 - 121 (4.9 - 7.4)	7 - 45 (0.45 - 2.2)
3525V -	81 - 121 (4.9 - 7.4)	33 - 67 (2.0 - 4.1)
4520V -	138 - 193 (8.4 - 11.8)	7 - 45 (0.45 - 2.2)
4525V -	138 - 193 (8.4 - 11.8)	33 - 67 (2.0 - 4.1)
4535V -	138 - 193 (8.4 - 11.8)	81 - 121 (4.9 - 7.4)

3 Pilot Designation

Omit - Standard pilot

S -	SAE per ISO 3019/1 (SAE J744) (N/A on 2525V)
M -	Metric per ISO 3019/2 100A2HW (N/A on 2525V)

4 Geometric Displacement - Shaft End Pump

Rated capacity (USgpm) at 1200 rpm, 6,9 bar (100 psi)

Frame Size	Code (USgpm)	cm ³ /r	in ³ /r
25**V	10	33	2.0
	12	40	2.5
	14	45	2.8
	17	55	3.4
	21	67	4.1
35**V	25	81	4.9
	30	97	5.9
	35	112	6.8
	38	121	7.4
45**V	42	138	8.4
	45	147	9.0
	50	162	9.9
	60	193	11.8

5 Port Connections

A - SAE 4-bolt flange

6 Port Connection Modifier

Omit - Inch thread port connection (4-bolt flange)
M - Metric port connection (4-bolt flange)

7 Geometric Displacement - Cover End Pump

Rated capacity (USgpm) at 1200 rpm, 6,9 bar (100 psi)

Frame Size	Code (USgpm)	cm ³ /r	in ³ /r	
**20V	2	7	0.43	
	5	18	1.1	
	8	27	1.7	
	9	30	1.9	
	11	36	2.2	
	12	40	2.5	
	14	45	2.8	
	**25V	10	33	2.0
		12	40	2.5
		14	45	2.8
17		55	3.4	
21		67	4.1	
4535V	25	81	4.9	
	30	97	5.9	
	35	112	6.8	
	38	121	7.4	

8 Mounting

Omit - Flange mounting
F - Foot mounting

9 Shaft

Std. Pilot Shafts

Model	Str. Key	HD Str. Key	Spline
25**V - 45**V	1	86	11

"S" SAE Pilot & "M" Metric ISO Pilot Shafts

Model	Str. Key	HD Str. Key	Metric Key	Str. Spline
25**VS - 45**VS	202	203	N/A	297
25**VM - 45**VM	N/A	N/A	292N	N/A

10 Port Orientation

(Viewed from cover end of pump)
All series except 2525V & 4535V

With No.1 outlet opposite inlet:

AA - No. 2 outlet 135° CCW from inlet
AB - No. 2 outlet 45° CCW from inlet
AC - No. 2 outlet 45° CW from inlet
AD - No. 2 outlet 135° CW from inlet

With No.1 outlet 90° CCW from inlet:

BA - No. 2 outlet 135° CCW from inlet
BB - No. 2 outlet 45° CCW from inlet
BC - No. 2 outlet 45° CW from inlet
BD - No. 2 outlet 135° CW from inlet

With No.1 outlet inline with inlet:

CA - No. 2 outlet 135° CCW from inlet
CB - No. 2 outlet 45° CCW from inlet
CC - No. 2 outlet 45° CW from inlet
CD - No. 2 outlet 135° CW from inlet

With No.1 outlet 90° CW from inlet:

DA - No. 2 outlet 135° CCW from inlet
DB - No. 2 outlet 45° CCW from inlet
DC - No. 2 outlet 45° CW from inlet
DD - No. 2 outlet 135° CW from inlet

Series 2525V & 4535V

With No.1 outlet opposite inlet:

AA - No. 2 outlet opposite inlet
AB - No. 2 outlet 90° CCW from inlet
AC - No. 2 outlet inline with inlet
AD - No. 2 outlet 90° CW from inlet

With No.1 outlet 90° CW from inlet:

BA - No. 2 outlet opposite inlet
BB - No. 2 outlet 90° CCW from inlet
BC - No. 2 outlet inline with inlet
BD - No. 2 outlet 90° CW from inlet

With No.1 outlet inline with inlet:

CA - No. 2 outlet opposite inlet
CB - No. 2 outlet 90° CCW from inlet
CC - No. 2 outlet inline with inlet
CD - No. 2 outlet 90° CW from inlet

With No.1 outlet 90° CW from inlet:

DA - No. 2 outlet opposite inlet
DB - No. 2 outlet 90° CCW from inlet
DC - No. 2 outlet inline with inlet
DD - No. 2 outlet 90° CW from inlet

11 Design

12 Rotation

(Viewed from shaft end of pump)
L - Left hand for counterclockwise
R - Right hand for clockwise

13 Special Suffix

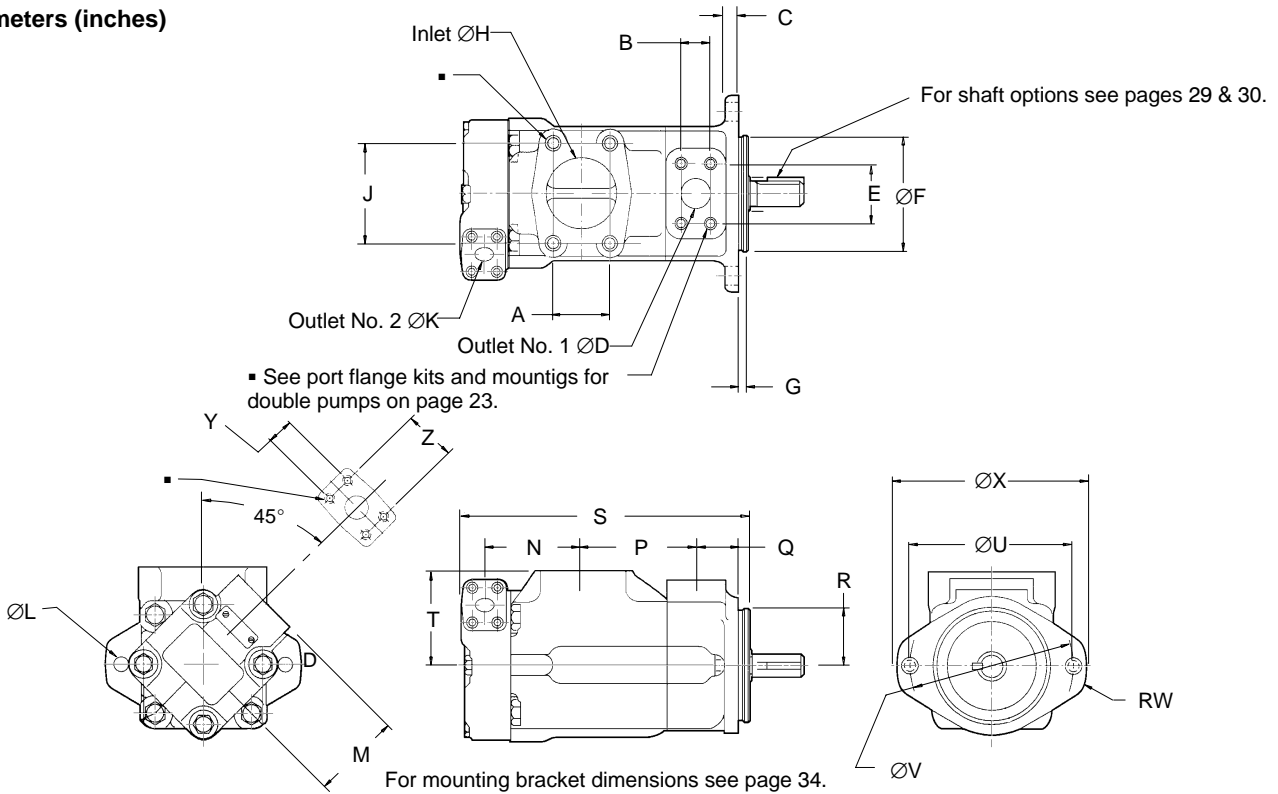
167 - 2-bolt, 5" dia. pilot
(25**V only - N/A for VS or VM models)

Note: For options other than listed in the model code, i.e. shafts, ports, displacements and mountings, contact your Vickers representative.

2520V, 35**V, 452*V Installation Dimensions

2520V, 35**V and 452*V Double Pumps

Millimeters (inches)



Model	A	B	C	ØD▲	E	ØF	G	G for (***)VS	G for (***)VM	ØH▲	J	ØK▲	ØL	M	N
2520V	50,8 (2.00)	26,2 (1.03)	12,7 (0.50)	25,4 (1.00)	52,4 (2.06)	101,6 (4.0) 101,5 (3.9)	9,53 (0.38)	9,53 (0.38)	9,25 (.364)	63,5 (2.50)	88,9 (3.50)	19,1 (0.75)	14,2 (0.56)	76,2 (3.00)	88,1 (3.47)
3520V	62 (2.44)	30,1 (1.19)	15,9 (0.62)	31,7 (1.25)	58,7 (2.31)	127 (5.00) 126 (4.99)	9,53 (0.38)	12,7 (0.50)	9,12 (.359)	76,2 (3.00)	106,3 (4.19)	19,1 (0.75)	17,5 (0.69)	76,2 (3.00)	99,6 (3.92)
3525V	62 (2.44)	30,1 (1.19)	15,9 (0.62)	31,7 (1.25)	58,7 (2.31)	127 (5.00) 126 (4.99)	9,53 (0.38)	12,7 (0.50)	9,12 (.359)	76,2 (3.00)	106,3 (4.19)	25,4 (1.00)	17,5 (0.69)	74,7 (2.94)	109,5 (4.31)
4520V	69,9 (2.75)	35,7 (1.41)	15,9 (0.62)	38,1 (1.50)	69,9 (2.75)	127 (5.00) 126 (4.99)	12,7 (0.50)	12,7 (0.50)	9,12 (.359)	88,9 (3.50)	120,6 (4.75)	19,1 (0.75)	17,5 (0.69)	76,2 (3.00)	102 (4.72)
4525V	69,9 (2.75)	35,7 (1.41)	15,9 (0.62)	38,1 (1.50)	69,9 (2.75)	127 (5.00) 126 (4.99)	12,7 (0.50)	12,7 (0.50)	9,12 (.359)	88,9 (3.50)	120,6 (4.75)	25,4 (1.00)	17,5 (0.69)	74,7 (2.94)	136 (5.35)

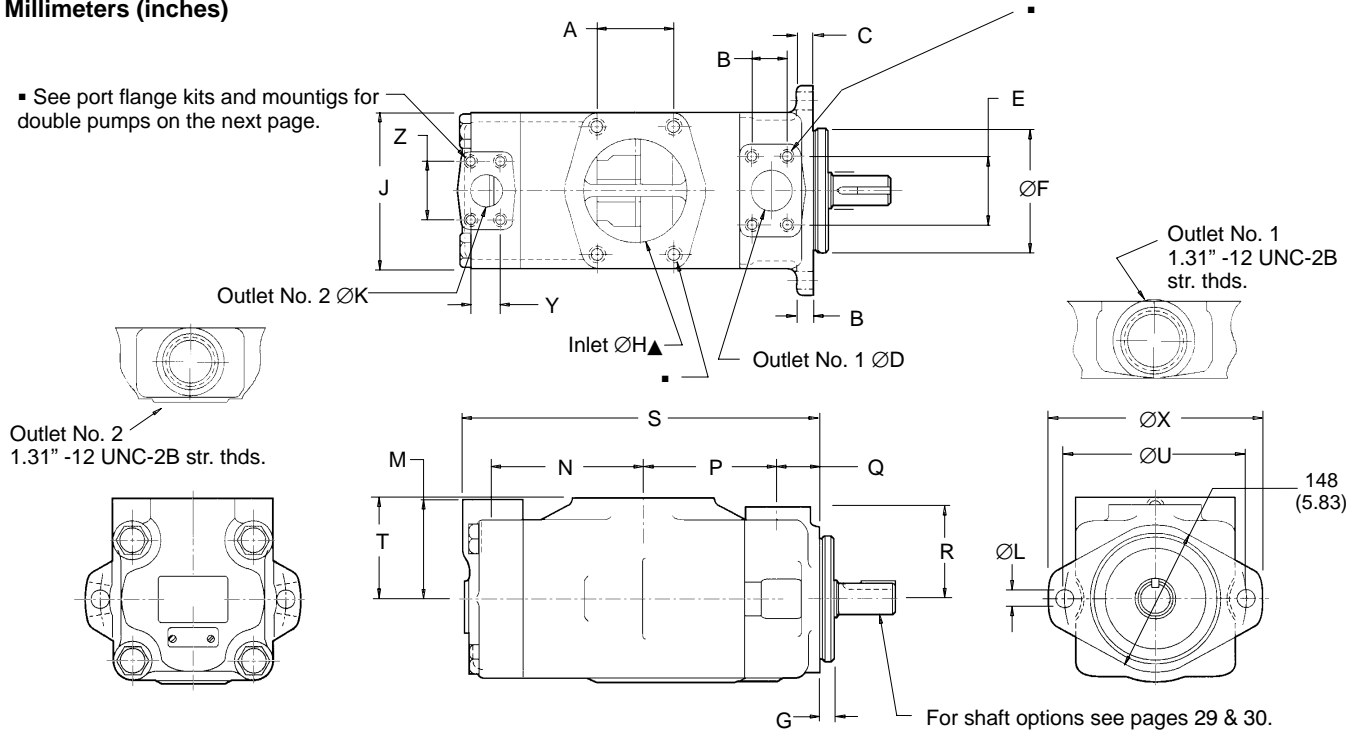
Model	P	P for (***)VS & VM)	Q	R	S	S for (***)VS)	S for (***)VM)	T	ØU	ØV	RW	ØX	Y	Z
2520V	101,6 (4.00)	111,3 (4.38)	38,1 (1.50)	76,2 (3.00)	250 (9.81)	259 (10.2)	259 (10.2)	85,3 (3.38)	146,1 (5.75)	175 (6.88)	14 (0.55)	174,7 (6.88)	22,2 (0.88)	47,6 (1.88)
3520V	114,3 (4.50)	122,2 (4.81)	38,1 (1.50)	82,6 (3.25)	273,3 (10.8)	285 (11.2)	282 (11.1)	88,9 (3.50)	181 (7.13)	148 (5.83)	16 (0.63)	213 (8.38)	22,2 (0.88)	47,6 (1.88)
3525V	114,3 (4.50)	122,2 (4.81)	38,1 (1.50)	82,6 (3.25)	287,3 (9.81)	260 (10.2)	254 (10.0)	88,9 (3.50)	181 (7.13)	148 (5.83)	16 (0.63)	213 (8.38)	26,2 (1.03)	52,4 (2.06)
4520V	119,4 (4.70)	129,7 (5.11)	42,9 (1.69)	93,7 (3.69)	303,5 (11.95)	314 (12.4)	310 (12.2)	102,4 (4.03)	181 (7.13)	148 (5.83)	16 (0.63)	213 (8.38)	22,2 (0.88)	47,6 (1.88)
4525V	119,4 (4.70)	129,7 (5.11)	42,9 (1.69)	93,7 (3.69)	325 (12.8)	336 (13.2)	332 (13.1)	102,4 (4.03)	181 (7.13)	148 (5.83)	16 (0.63)	213 (8.38)	26,2 (1.03)	52,4 (2.06)

▲ Nominal port size, also see next page "port flange kits and mountings for double pumps."

2525V, 4535V Installation Dimensions

2525V and 4535V Series Double Pumps Millimeters (inches)

▪ See port flange kits and mountigs for double pumps on the next page.



For mounting bracket dimensions see page 34.

▲ Nominal port size, also see next page "port flange kits and mountings for double pumps."

Model	A	B	C	ØD▲	E	ØF	G	ØH▲	J	ØK▲	ØL	M	N
2525V	50,8 (2.00)	26,2 (1.03)	12,7 (0.50)	25,4 (1.00)	52,4 (2.06)	101,6 (4.0) 101,5 (3.9)	9,53 (0.38)	63,5 (2.50)	88,9 (3.50)	25,4 (1.00)	14,2 (0.56)	76,2 (3.00)	97,5 (3.84)
4535V	77,8 (3.06)	35,7 (1.41)	15,9 (0.62)	38,1 (1.50)	69,9 (2.75)	127 (5.00) 126 (4.99)	12,7 (0.50)	101,6 (4.00)	130,2 (5.13)	31,7 (1.25)	17,5 (0.69)	101,6 (4.00)	148,3 (5.84)
4535VM							9,12 (.359)						

Model	P	Q	R	S	T	ØU	ØV	RW	ØX	Y	Z
2525V	101,6 (4.00)	38,1 (1.50)	76,2 (3.00)	263 (10.4)	84 (3.31)	146,1 (5.75)	175 (6.88)	14 (0.55)	174,7 (6.88)	26,2 (1.03)	52,4 (2.06)
4535V	133,3 (5.25)	42,9 (1.69)	93,7 (3.69)	353 (13.9)	102,4 (4.03)	181 (7.13)	148 (5.83)	-	213 (8.38)	30,2 (1.19)	58,7 (2.31)
4535VS & 4535VM	144 (5.66)			364 (14.3)							

Port Flange Kits / Mtg for Double Pumps

▪ Port Flange Kits and Mountings for Double Pumps

Pump	Inlet		Outlet No. 1, Shaft end		Outlet No. 2, Rear end	
	Flange Kits	Mounting Bolt Tap & Full Thread Depth	Flange Kits	Mounting Bolt Tap & Full Thread Depth	Flange Kits	Mounting Bolt Tap & Full Thread Depth
2520V-**AM-	N/A from Vickers	M12 x 23,8 (0.94)	N/A from Vickers	M10 x 20,1 (0.79)	N/A from Vickers	M10 x 20,1 (0.79)
2520V-**A-	FL1-20-	.50" - 13UNC-2B x 23,8 (0.94)	FL1-8-	.375" - 16UNC-2B x 20,1 (0.79)	FL1-6	.375" - 16UNC-2B x 20,1 (0.79)
2525V-**AM-	N/A from Vickers	M12 x 23,8 (0.94)	N/A from Vickers	M10 x 20,1 (0.79)	N/A from Vickers	M10 x 20,1 (0.79)
2525V-**A-	FL1-20-	.50" - 13UNC-2B x 23,8 (0.94)	FL1-8-	.375" - 16UNC-2B x 20,1 (0.79)	FL1-8-	.375" - 16UNC-2B x 20,1 (0.79)
3520V-**AM-	N/A from Vickers	M16 x 30,0 (1.18)	N/A from Vickers	M16 x 30,0 (1.18)	N/A from Vickers	M10 x 20,1 (0.79)
3520V-**A-	FL1-24-	.625" - 11UNC-2B x 30,0 (1.18)	FL1-10-	.437" - 14UNC-2B x 30,0 (1.18)	FL1-6-	.375" - 16UNC-2B x 20,1 (0.79)
3525V-**AM-	N/A from Vickers	M16 x 30,0 (1.18)	N/A from Vickers	M16 x 30,0 (1.18)	N/A from Vickers	M10 x 20,1 (0.79)
3525V-**A-	FL1-24-	.625" - 11UNC-2B x 30,0 (1.18)	FL1-10-	.437" - 14UNC-2B x 30,0 (1.18)	FL1-8-	.375" - 16UNC-2B x 20,1 (0.79)
4520V-**AM-	N/A from Vickers	M16 x 30,0 (1.18)	N/A from Vickers	M12 x 23,8 (0.94)	N/A from Vickers	M10 x 20,1 (0.79)
4520V-**A-	FL1-28-	.625" - 11UNC-2B x 30,0 (1.18)	FL1-12-	.50" - 13UNC-2B x 23,8 (0.94)	FL1-6-	.375" - 16UNC-2B x 20,1 (0.79)
4525V-**AM-	N/A from Vickers	M16 x 30,0 (1.18)	N/A from Vickers	M12 x 23,8 (0.94)	N/A from Vickers	M10 x 20,1 (0.79)
4525V-**A-	FL1-28-	.625" - 11UNC-2B x 30,0 (1.18)	FL1-12-	.50" - 13UNC-2B x 23,8 (0.94)	FL1-8-	.375" - 16UNC-2B x 20,1 (0.79)
4535V-**AM-	N/A from Vickers	M16 x 30,0 (1.18)	N/A from Vickers	M12 x 23,8 (0.94)	N/A from Vickers	M10 x 20,1 (0.79)
4535V-**A-	FL1-32-	.625" - 11UNC-2B x 30,0 (1.18)	FL1-12-	.50" - 13UNC-2B x 23,8 (0.94)	FL1-10-	.437" - 14UNC-2B x 30,0 (1.18)